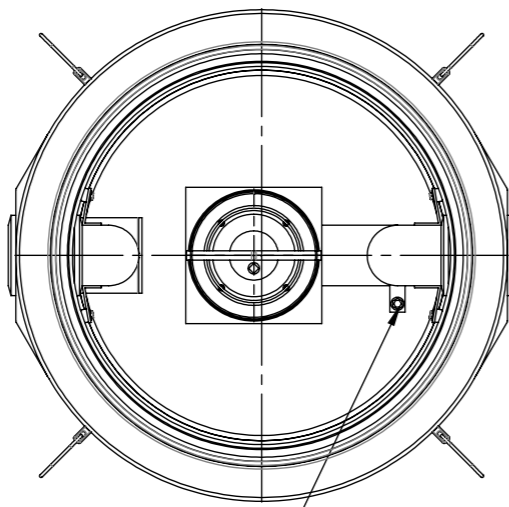



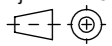
Inlet DN150
OD Ø160
Zulauf DN150
AD Ø160

Outlet DN150
OD Ø160
Ablauf DN150
AD Ø160



Pay attention to close the sampling device
Auf Verschluß des Probenahmeanschlusses achten

material number: 3010029

 ACO Beton GmbH Mittelriedstraße 25 68642 Bürstadt www.aco.com	drawing-no.: 1204917-M	index: 001	documenttype: marketing drw.
	created by: amaier	reviewed by: amaier	projection: ISO-E 
title: Oleopator-C-FST-HPC-LLT Oleopator-C-FST-HPC-LLT 6/600 PE Oleopator-C-FST-HPC-LLT 6/600 PE			serial-released
<small>The reproduction, distribution and utilization of this document as well as the communication of its contents to others without express authorization is prohibited. Offenders will be held liable for the payment of damages. All rights reserved in the event of the grant of a patent, utility model or design. Observe copyright by ISO 16016</small>			release date: 10.03.2023
			sheet: 1/1

S:\projekte\2019\001_A3_Versuch22