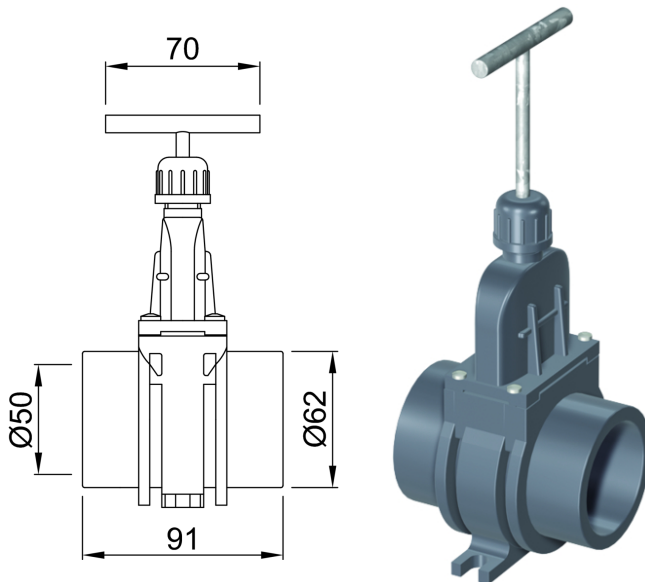


Inlet valve DN 50

Product information



Used with

- LipuMobil-P 0,8
- Multi-Mini

Description

- Made of PVC
- DN 50
- With sealing ring as per DIN EN 19538