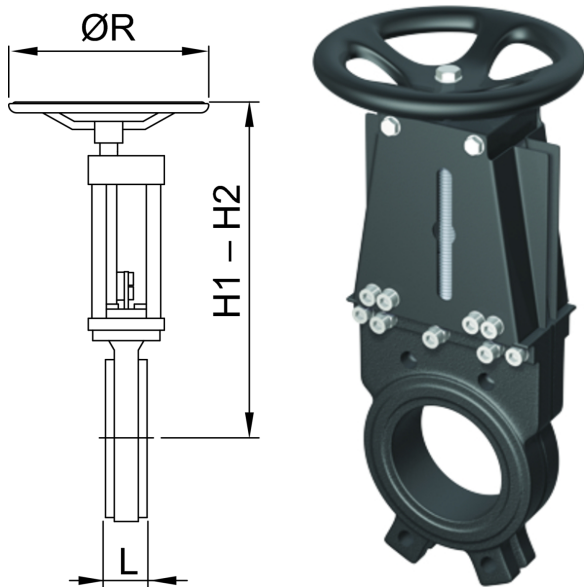


Stop valve

Product information



Used with

- Grease separators for free-standing installation
- Starch separator for free-standing installation

Description

- Made of cast iron
- Penstock plate, spindle made from stainless steel, material grade 304
- DN 150
- Length (L): 60 mm
- Spindle travel (H1 – H2): 478 – 639 mm
- Manual wheel diameter: 200 mm