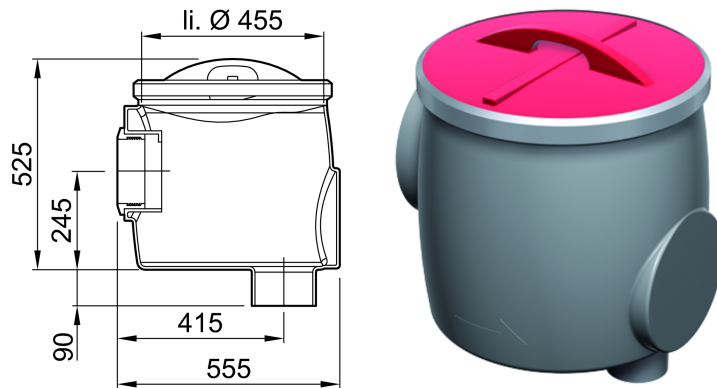


Sampling pot DN 150

Product information



Used with

- Grease separator LipuJet-P/LipuSmart-P
 - NS 5.5 – 10
- Starch separator FapuJet-P-OAP
 - NS 2

Description

- For installation in vertical pipes DN 150 going to grease separator
- Round shape with
 - Coupling socket seal (material SBR) on inlet and spigot on outflow
 - Odour-proof maintenance opening DN 450