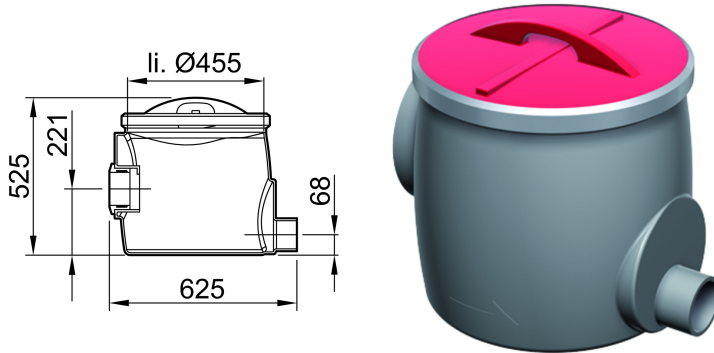


# Sampling pot DN 100

## Product information

---



### Used with

- Grease separator LipuJet-P/LipuSmart-P
  - NS 1 – 4
- Starch separator FapuJet-P-OAP
  - NS 0.5 – 1

### Description

- For installation of horizontal pipes DN 100 to grease separator
- Round shape with
  - Coupling socket seal (material SBR) on inlet and spigot on outflow
  - Odour-proof maintenance opening DN 450