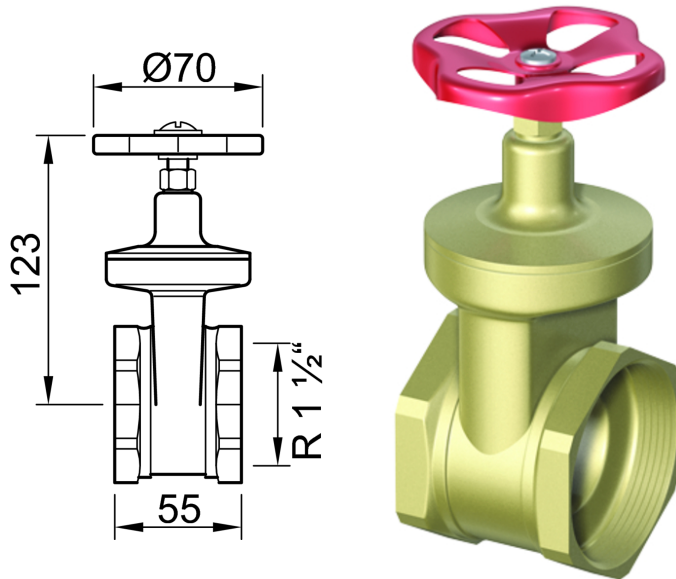


# Stop valve 1 1/2"

## Product information

---



### Used with

- Wastewater lifting plant

### Description

- For hand membrane pump