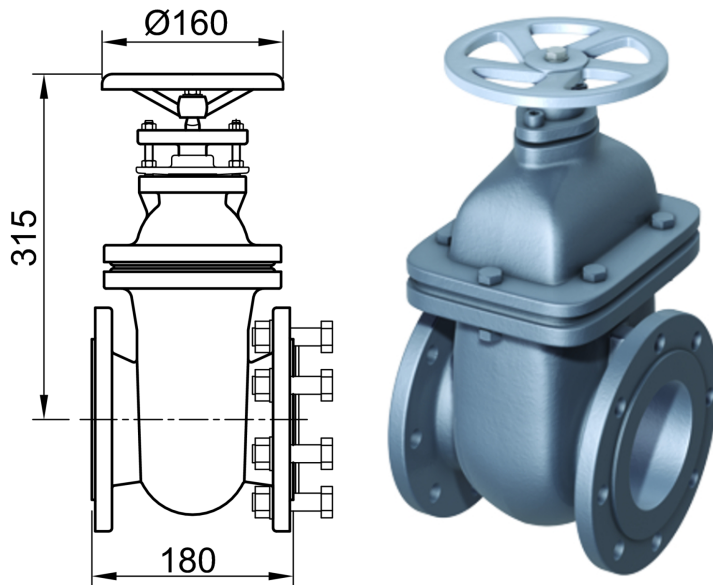


Stop valve DN 80

Product information



Used with

- LipuSmart-P
- Multi-Star MDP1/MWP1
- Multi-Star DDP 1/2

Description

- Made of cast iron
- 8 screws and nuts
- 1 DN 80 seal
- Length: 180 mm