

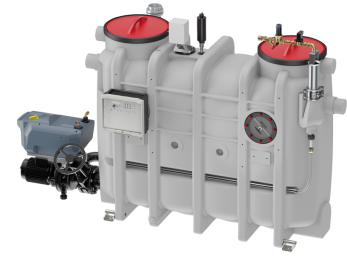
# LipuJet-P-OAP Extension stage 3

## Product information for the product group

### ACO Product benefits

- Proven stability: 25 years
- Odour-free emptying, cleaning and filling
- Pre- and post-cleaning times can be set individually
- Hydromechanical high-pressure cleaning – only a cold-water connection required
- Minimises disposal and maintenance costs thanks to economic step increases in nominal size
- Small delivery dimensions
- Low weight

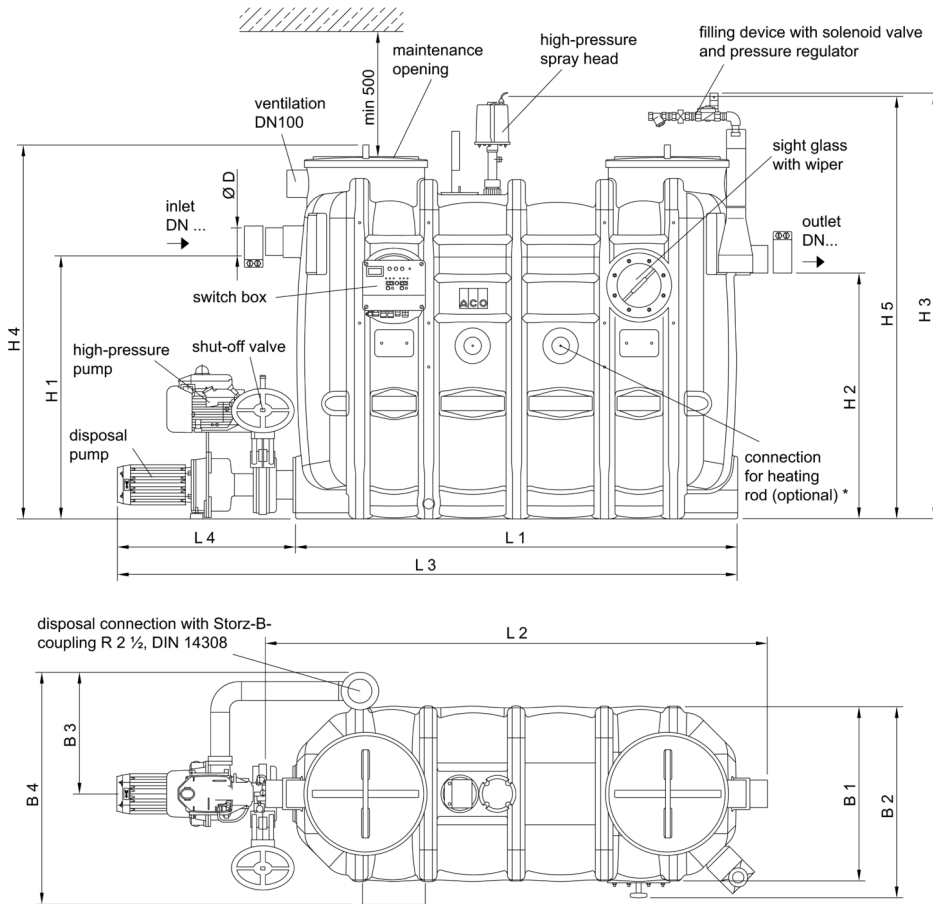
- Grease separator plant as per DIN EN 1825 and DIN 4040-100
- For indoors installation – frost free
- With integrated sludge trap
- Operating side: right/left
- Draining connection, fire hose quick coupling B 2½"
- Suction and emptying sump with drain plug socket 1"
- Inspection window with wiper
- Automatic high-pressure internal cleaning with pump
  - Nominal pressure: 175 bar
  - Capacity: 11,6 l/min
  - Chopping, mixing, rinsing in one process
- Standard control with group fault reporting
- Disposal pump with free flow impeller
  - Motor power: 3.0 kW/2850 rpm
  - Delivery performance: 20 m³/h at 1 bar medium delivery head
- Stop valve upstream of disposal pump
- Odour-proof maintenance opening, diameter: 450 mm
- Filling device with magnetic valve (connection ¾") for automatic refilling
- Electrical connector: 400V/50 Hz/16A/8,0 kW



## Item Technical Data 3554.84.32

Nominal size	Nominal width	Contents			Weight		Operation side
		Sludge trap	Grease store	Overall	Empty	Full	
		[l]	[l]	[l]	[kg]	[kg]	
NS 4	DN 100	400	200	830	210	1040	left

**Dimensions**




displayed:  
 NS4, operating side right  
 operating side left would show all  
 components (disposal connection, filling  
 device, sight glass, shut-off valve, switch  
 box) positioned mirror-inverted to axis.  
 \* not included in the scope of delivery

**Nomi-  
 nal size**

**Dimensions**

	L1	L2	L3	L4	H1	H2	H3	H4	H5	B1	B2	B3	B4	D
	[mm]	[mm]	[mm]	[mm]	[mm]	[mm]	[mm]	[mm]	[mm]	[mm]	[mm]	[mm]	[mm]	[mm]
NS 4	1760	2000	2460	700	1055	985	1710	1500	1700	700	770	500	930	110

## Accessories

	Description	Used with	Weight [kg]	Item number
	<b>Sampling pot DN 100</b> <ul style="list-style-type: none"> <li>■ For installation of horizontal pipes DN 100 to grease separator</li> <li>■ Round shape with                             <ul style="list-style-type: none"> <li><input type="checkbox"/> Coupling socket seal (material SBR) on inlet and spigot on outflow</li> <li><input type="checkbox"/> Odour-proof maintenance opening DN 450</li> </ul> </li> </ul>	<ul style="list-style-type: none"> <li>■ Grease separator LipuJet-P/LipuSmart-P                             <ul style="list-style-type: none"> <li><input type="checkbox"/> NS 1 – 4</li> </ul> </li> <li>■ Starch separator FapuJet-P-OAP                             <ul style="list-style-type: none"> <li><input type="checkbox"/> NS 0.5 – 1</li> </ul> </li> </ul>	10.2	3300.09.11
	<b>Sampling pot DN 100</b> <ul style="list-style-type: none"> <li>■ For installation in vertical pipes DN 100 going to grease separator</li> <li>■ Round shape with                             <ul style="list-style-type: none"> <li><input type="checkbox"/> Coupling socket seal (material SBR) on inlet and spigot on outflow</li> <li><input type="checkbox"/> Odour-proof maintenance opening DN 450</li> </ul> </li> </ul>	<ul style="list-style-type: none"> <li>■ Grease separator LipuJet-P/LipuSmart-P                             <ul style="list-style-type: none"> <li><input type="checkbox"/> NS 1 – 4</li> </ul> </li> <li>■ Starch separator FapuJet-P-OAP                             <ul style="list-style-type: none"> <li><input type="checkbox"/> NS 0.5 – 1</li> </ul> </li> </ul>	10.2	3300.10.11
	<b>Viewing window</b> <ul style="list-style-type: none"> <li>■ Nominal width: DN 200</li> <li>■ With screen wiper</li> </ul>	<ul style="list-style-type: none"> <li>■ Grease separator                             <ul style="list-style-type: none"> <li><input type="checkbox"/> LipuJet-P-OB/OD/R/RD</li> <li><input type="checkbox"/> LipuSmart-P-OB/OD</li> </ul> </li> <li>■ BioJet-P-OM/RM (NS 2-25)</li> </ul>	3.2	3300.11.10
	<b>Filling device</b> <ul style="list-style-type: none"> <li>■ Free outlet as per DIN 1988 Part 4</li> <li>■ For connection to drinking water supply</li> <li>■ With DVGW / KIWA approval and inclined valve R 3/4 "</li> <li>■ With pressure relief valve with dirt trap</li> </ul>	<ul style="list-style-type: none"> <li>■ Grease separator                             <ul style="list-style-type: none"> <li><input type="checkbox"/> LipuJet-P-OB/OD/R/RD</li> <li><input type="checkbox"/> LipuSmart-P-OB/OD</li> </ul> </li> <li>■ BioJet-P-OM/RM (NS 2-25)</li> </ul>	3.5	3300.11.22
	<b>Grease layer thickness measuring device</b> <ul style="list-style-type: none"> <li>■ For electronic measurement of layer of grease</li> <li>■ Suitable for liquid and/or congealing grease</li> <li>■ Measuring device with plug and used connecting cable, length: 3 m</li> <li>■ With two voltage-free changeover contacts to display full warning (80%) and advance warning of fill level (50%)</li> <li>■ With visual display of fill level</li> <li>■ With heated probe rod to increase reliability of operation</li> <li>■ Operating voltage: 230VAC/5 VA</li> <li>■ Max consumption approx. 12W</li> </ul>	<ul style="list-style-type: none"> <li>■ LipuJet-P                             <ul style="list-style-type: none"> <li><input type="checkbox"/> Oval NS 1 – 10</li> <li><input type="checkbox"/> Round NS 2 – 22,5</li> </ul> </li> <li>■ LipuJet-S                             <ul style="list-style-type: none"> <li><input type="checkbox"/> Oval NS 1 – 10</li> <li><input type="checkbox"/> Round NS 2 – 20</li> </ul> </li> <li>■ LipuSmart-P                             <ul style="list-style-type: none"> <li><input type="checkbox"/> Oval NS 1 – 10</li> </ul> </li> </ul>	2.8	3300.11.50

You can find further accessories under → <https://www.buildingdrainage.aco/search/?q=3554.84.32>